

GENERAL

The use of corrosion coupons is the most common method of measuring internal corrosion, and is critical to establishing a monitoring baseline. Caproco retractable coupon holders are available in either strip or flush disc coupon configurations.

The strip coupon holder is the most common configuration of coupon holders and allows for the mounting of coupons either as a pair of strip coupons or a single strip coupon. Ideal for locations where pigging or flow disturbance is not a concern, strip coupon holders can be mounted to allow for monitoring at top, middle and bottom of line positions or in liquid trap assemblies.

The flush disc coupon holder is designed to monitor environmental conditions along the pipe wall, by positioning the coupon flush with the wall. The flush disc requires no special orientation to the product flow, and does not interfere with pigging operations.

With the use of the Caproco low pressure access fitting and retractor, the retractable coupon holder allows for easy, rapid changing of coupons without system shutdown.

APPLICATION

The retractable coupon holder is mounted into the line through a low pressure access fitting assembly. The holder is manufactured with an integrated blowout preventor to stop it from coming completely out of the access fitting.

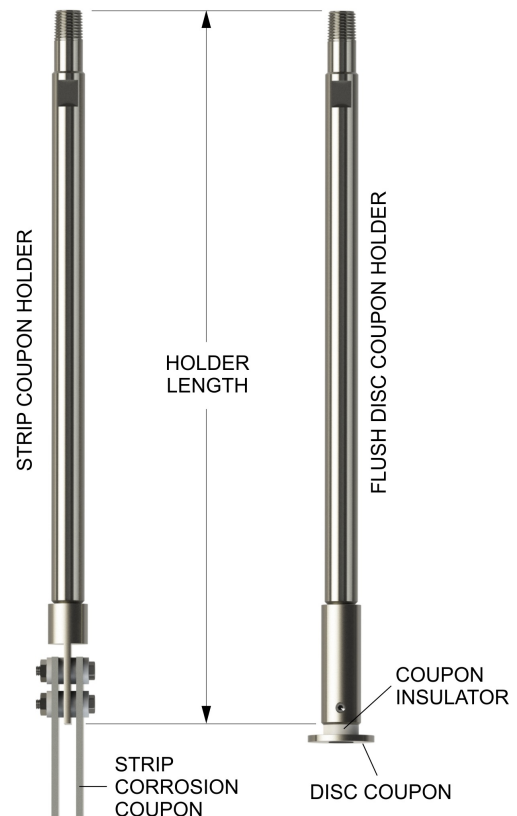
Depending on the specific site conditions, the access fitting may be located at any position on the line, allowing the coupons to be placed in the desired monitoring location. The access fitting may be used on the bottom of the line as a liquid trap assembly for monitoring bottom line conditions. When positioning the access fitting on any orientation around the pipe, consideration must be given to providing adequate clearance for the use of the retractor.

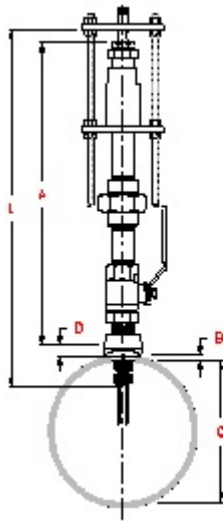
SPECIFICATIONS

Caproco retractable coupon holders are manufactured from 316 stainless steel. Mounting hardware and set screws are made from 304, 316 or 18-8 stainless steels. Coupon insulation comes pre-installed on the coupons.

Maximum Operating Pressure	1,500 psi (10.3 MPa)
Maximum Operating Temperature	500°F (260°C)

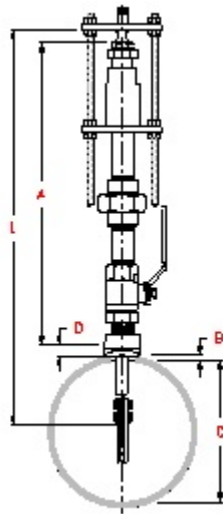
Coupon holders are available in alternative materials upon request. Standard holders are designed for mounting through a Caproco 1" low pressure access fitting assembly.





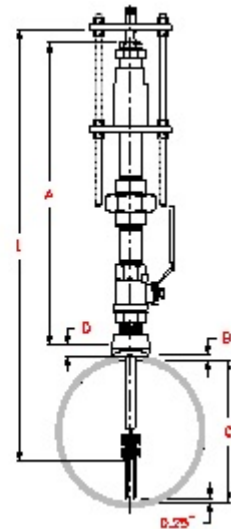
Top of Line (All in Flow)

$$L = A + B + D - 1"$$



Middle Of Line

$$L = A + B + \frac{1}{2}C + D - [E/2 + 1\frac{1}{4}"]$$

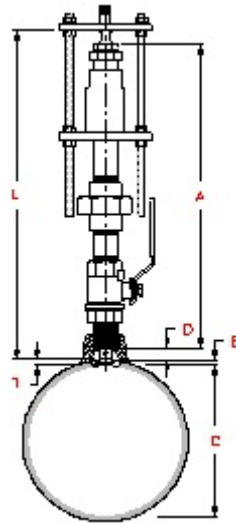


Bottom Of Line

Extended to 1/4" (6.4mm) Above Bottom Of Line:
 $L = A + B + C + D - [E + 1\frac{1}{2}"]$

<p>A = Access Fitting Overall Length (16.5")</p> <p>B = Pipe or Vessel Wall Thickness</p> <p>C = Actual (not nominal) Pipe I.D.</p> <p>D* = Thredolet Height - Thread Engagement (Height* - 0.68"/ 17mm)</p> <p>E = Coupon Length (Standard length is 3"/ 76.2mm)</p> <p>*note: Standard 1" Thredolet Heights: 3000# 1.31" (33mm) 6000# 1.56" (40mm)</p>	<p>Desired Probe Position:</p> <ul style="list-style-type: none"> -Top of Line, Coupon Half in Flow -Top of Line, Coupon All in Flow -Centered in Middle of Line -Extended to 1/4" (6.4mm) above Bottom of Line -Extended to 1/2" (12.7mm) above Bottom of Trap
--	---

RETRACTABLE STRIP COUPON HOLDERS		
COUPON HOLDER LENGTH		PART NUMBER
(INCHES)	(MM)	
20"	508	11643
22"	559	11644
24"	610	11645
25"	635	11646
26"	660	11647
28"	711	11648
30"	762	11649
32"	823	11650
34"	864	11651
36"	914	11652
Mounting Hardware (3/4" Long Screws & Nuts)		56157
Tee-Handle		70025



Flush with Inside Wall

$$L = A + B + D - T$$

<p>A = Access Fitting Overall Length (16.5")</p> <p>B = Pipe or Vessel Wall Thickness</p> <p>C = Actual (not nominal) Pipe I.D.</p> <p>D* = Thredolet Height - Thread Engagement (Height* - 0.68"/ 17mm)</p> <p>T = Coupon and Insulator Thickness (Standard = 0.32"/8.2mm)</p> <p>*note: Standard 1" Thredolet Heights: 3000# 1.31" (33mm) 6000# 1.56" (40mm)</p>	<p>Desired Probe Position:</p> <ul style="list-style-type: none"> -Flush with Inner Pipe Wall -Centered in Middle of Line -Extended to ¼" (6.4mm) above Bottom of Line -Extended to ½" (12.7mm) above Bottom of Trap
---	---

RETRACTABLE FLUSH DISC COUPON HOLDERS		
COUPON HOLDER LENGTH		PART NUMBER
(INCHES)	(MM)	
16"	406	70294
18"	457	70261
19"	483	70262
21"	533	70263
22"	559	70228
23"	584	70264
25"	635	70265
27"	686	70266
28"	711	70248
29"	737	70307
32"	823	70311
33"	838	70267
MOUNTING HARDWARE SET		
(MOUNTING SCREW & INSULATOR)		10582
TEE-HANDLE		70025

CONTACT CAPROCO FOR DIFFERENT SIZING & MATERIAL OPTIONS